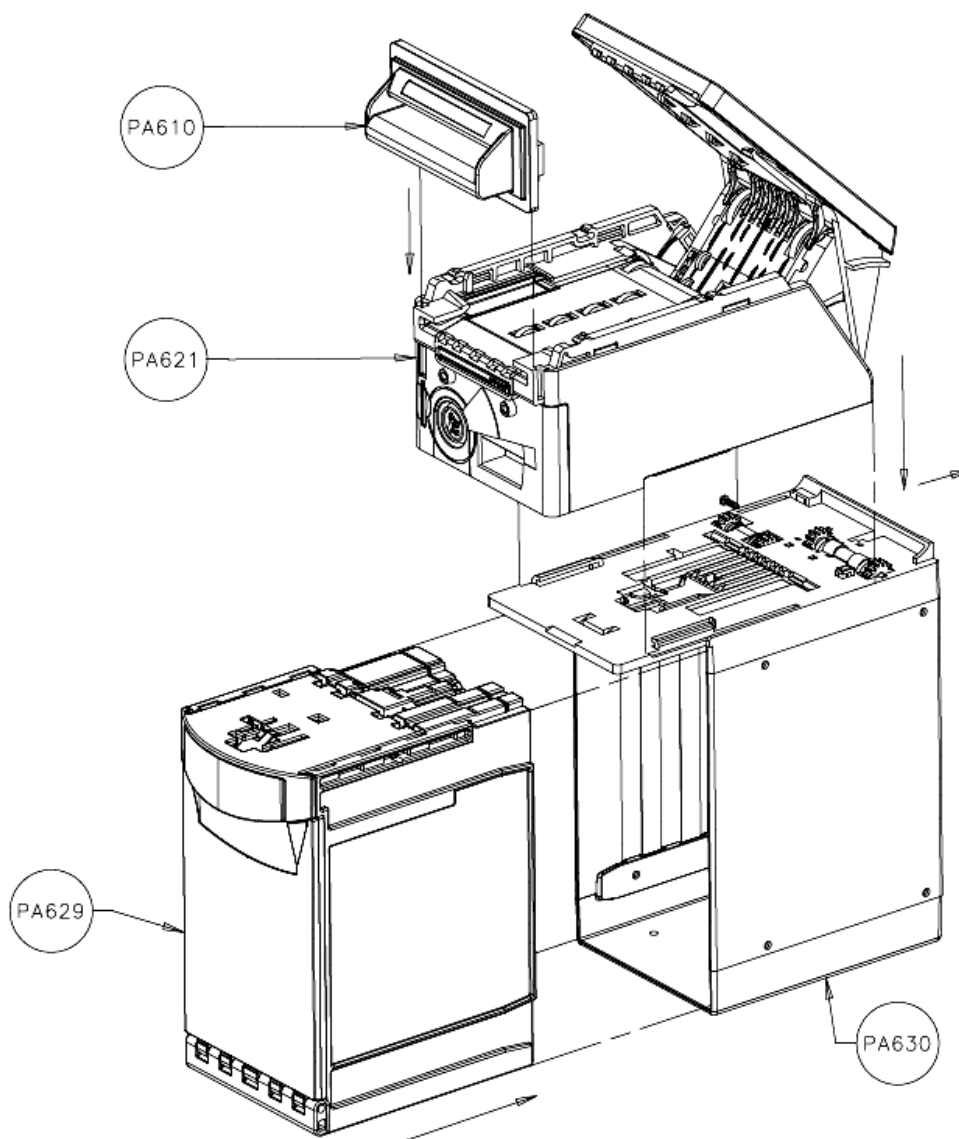


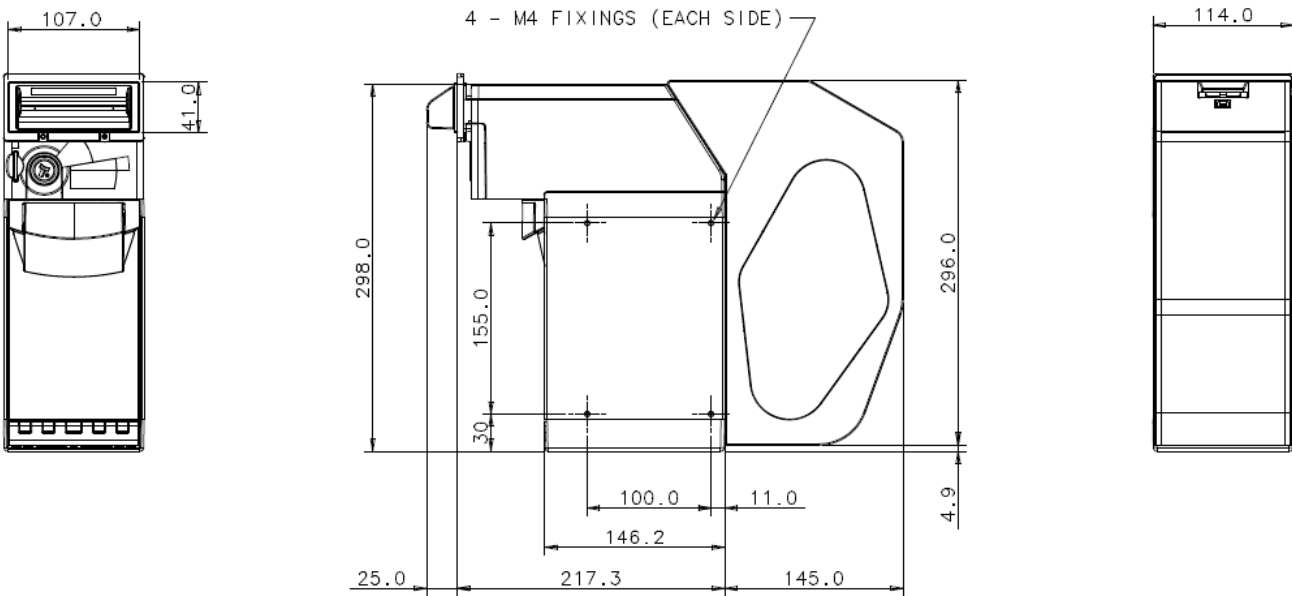
NV200

The user can obtain the following parts for the NV200 validator:

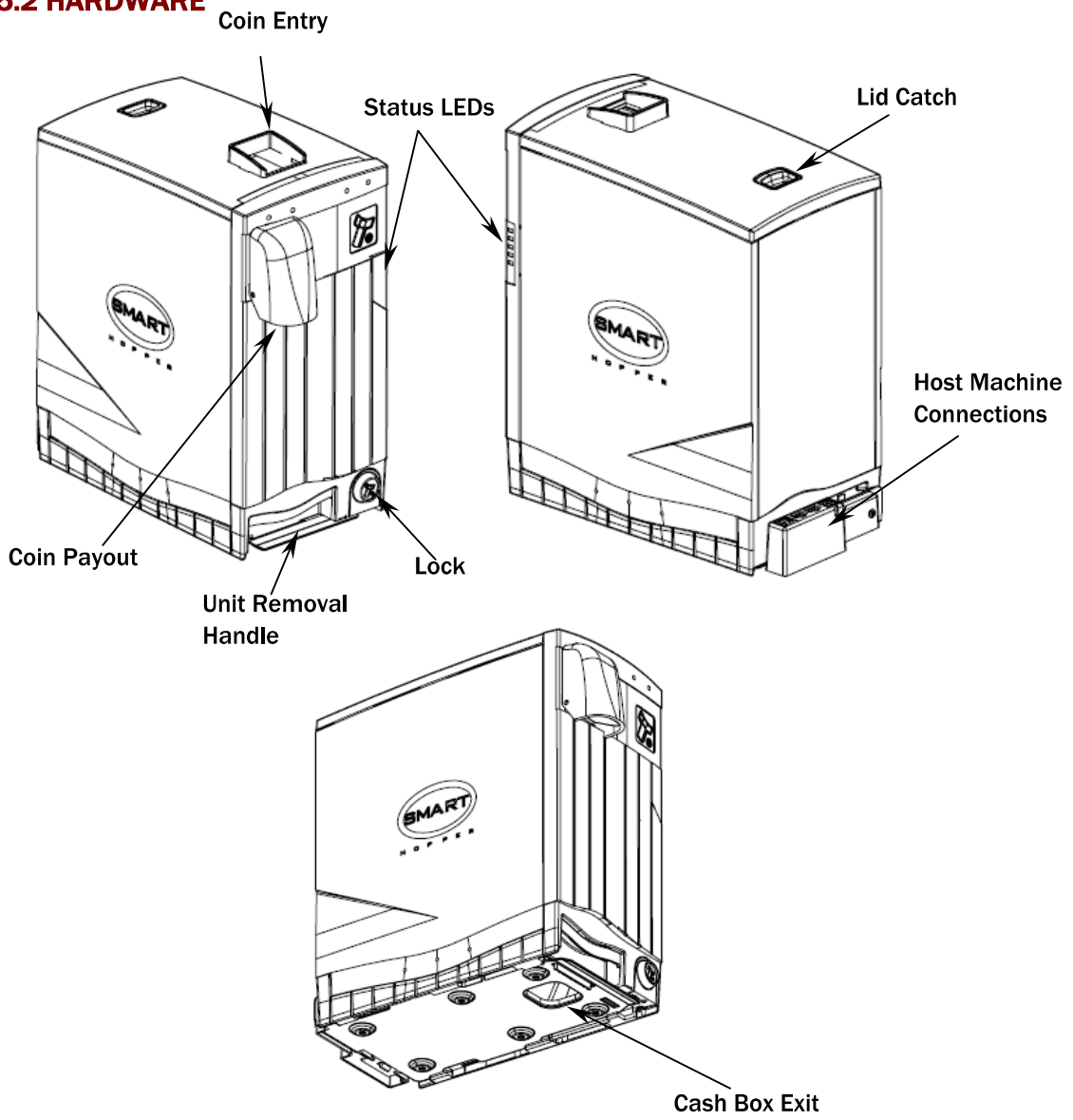
| ITL Part Number | Alternative Part Number | Description |
|------------------------|--------------------------------|---|
| PA610 | --- | Bezel Assembly |
| PA621 | --- | NV200 Validator Head Assembly |
| PA629 | --- | Cashbox Final Assembly |
| PA630 | --- | Chassis Assembly |
| PA650 | Camlock 28D181CPA | Lock Assembly (see subsection 4.9 of this manual for lock fitting instructions) |



NV200 Validator with Payout Module Fitted:



5.2 HARDWARE



APPENDIX B - DIMENSION DRAWING

