

H G F E D C B A

4

4

3

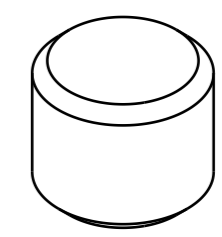
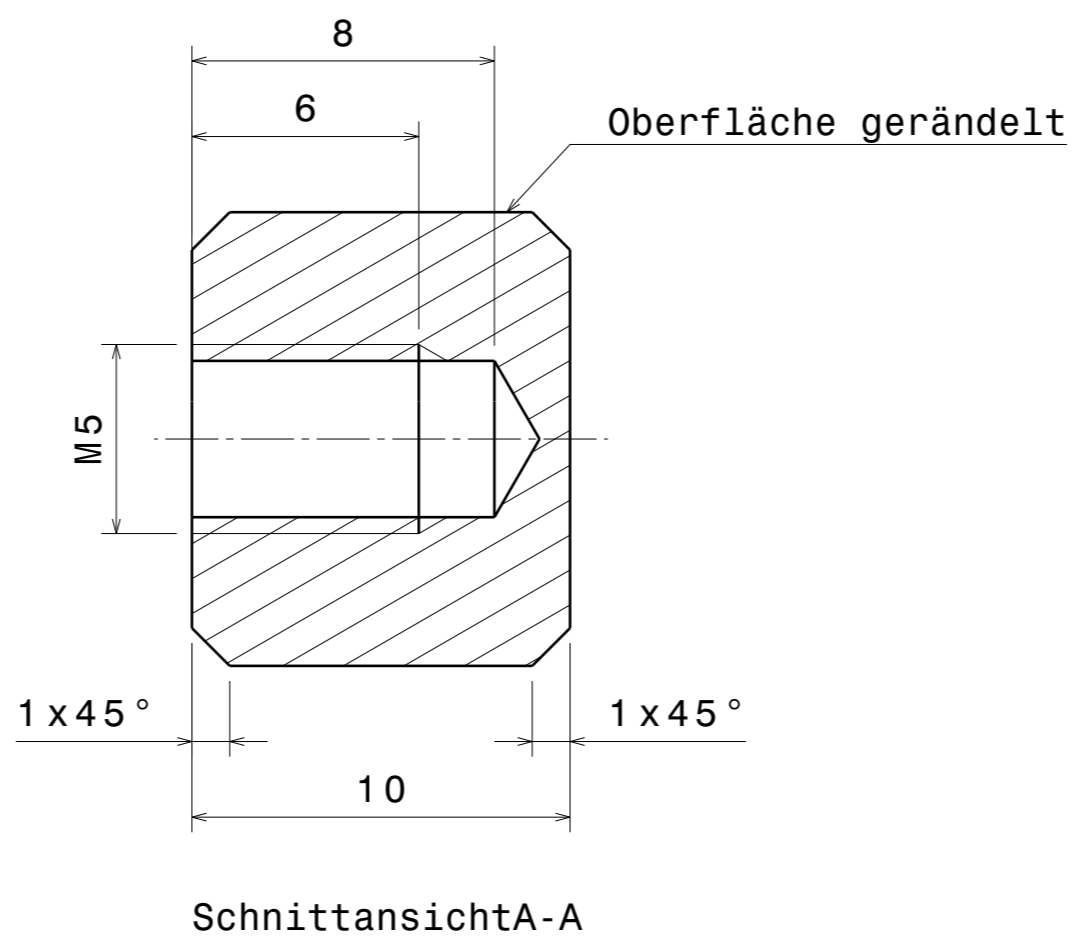
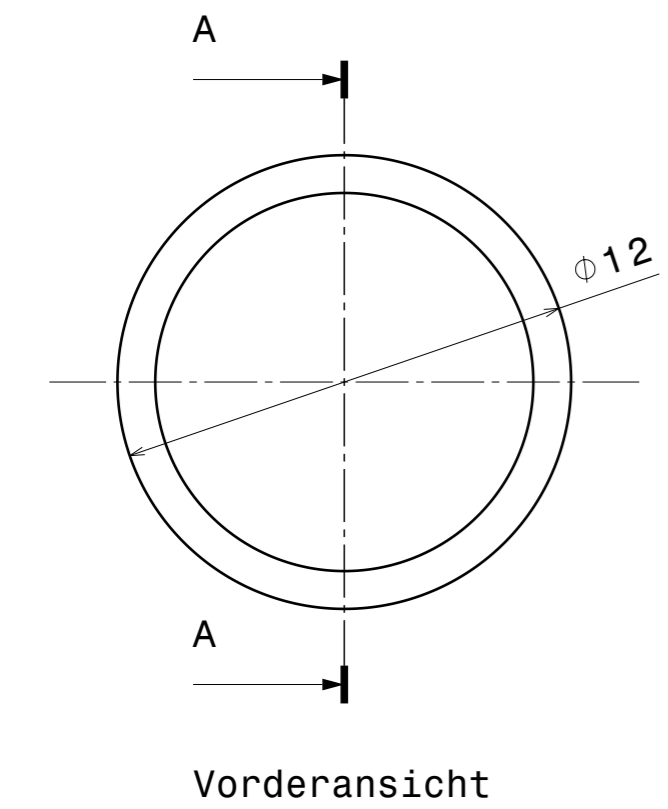
3

2

2

1

1



Isometrische Ansicht

DESIGNED BY: ripper		Wechselhalter Drehbank		I	-
DATE: 25.03.2018				H	-
CHECKED BY: -		Material: S355J0/S355J2		G	-
DATE: -				F	-
SIZE A3		Kopf Rasthebel		E	-
SCALE 5:1				WEIGHT (kg) 0,01	D
DRAWING NUMBER 1/1		SHEET 1/1		C	-
				B	-
				A	-

H G B A