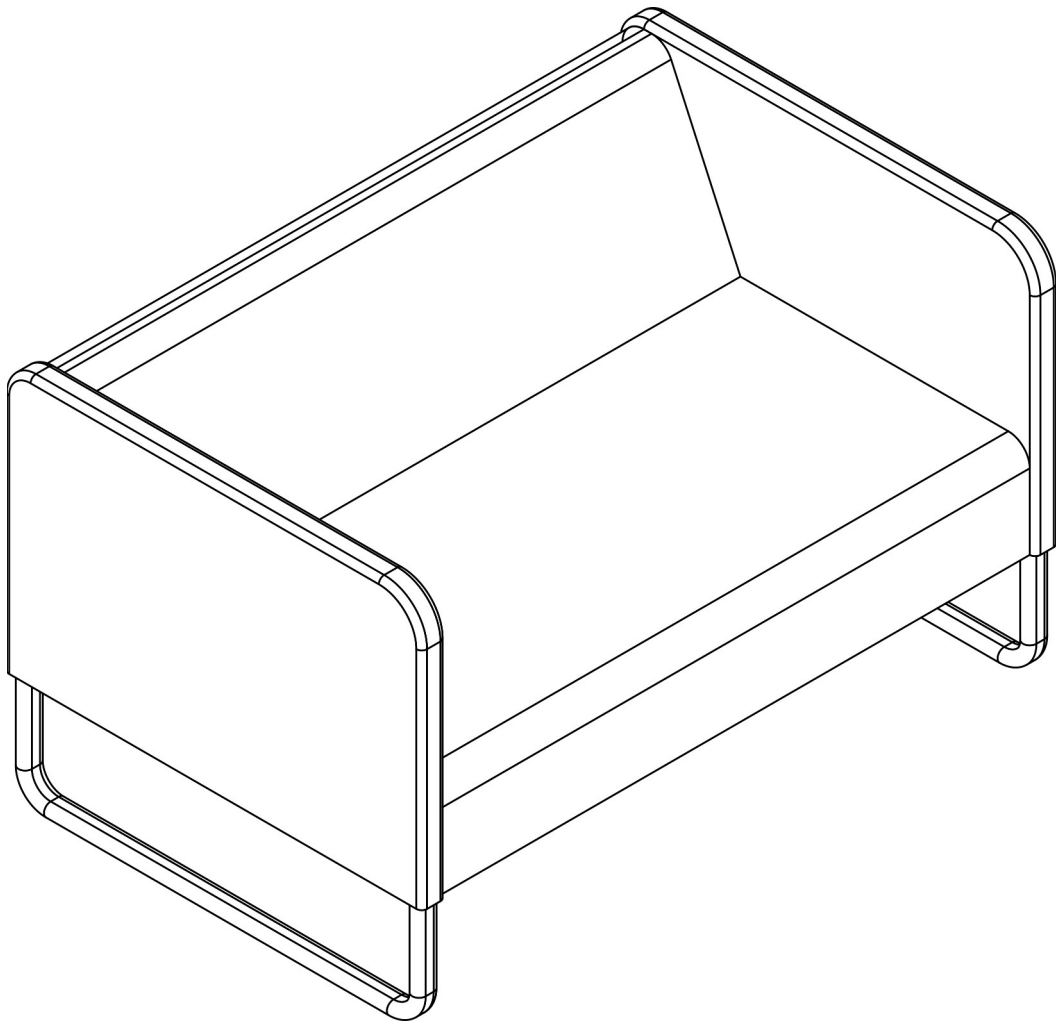
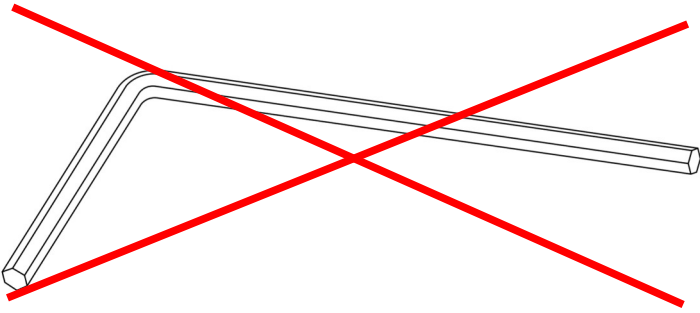
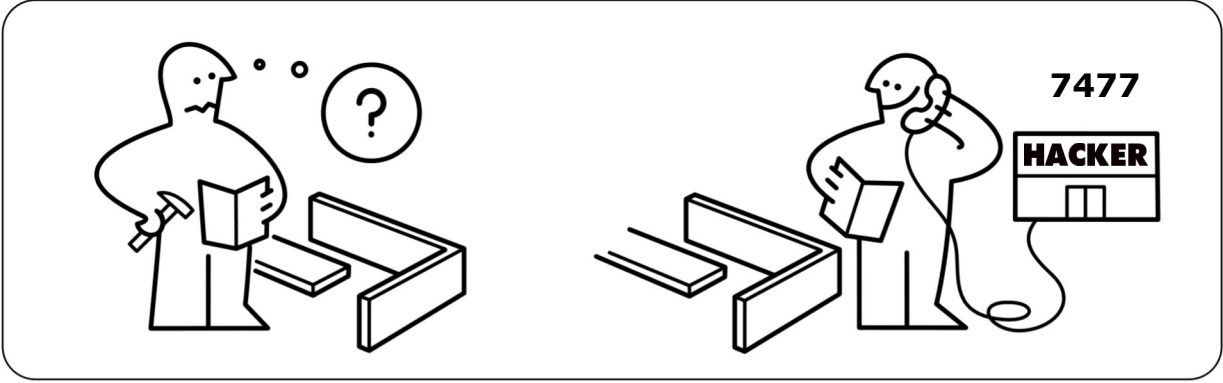


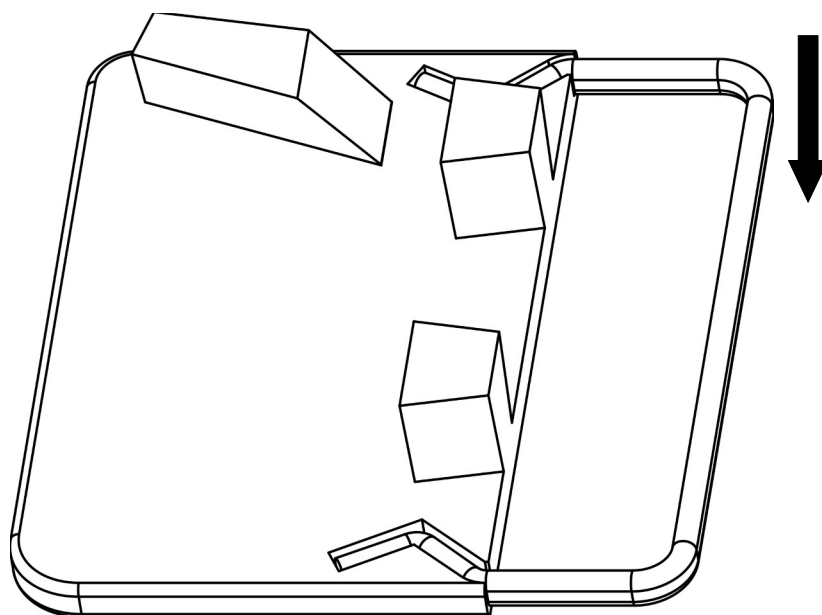
HACKERGACHA KNOPPARP



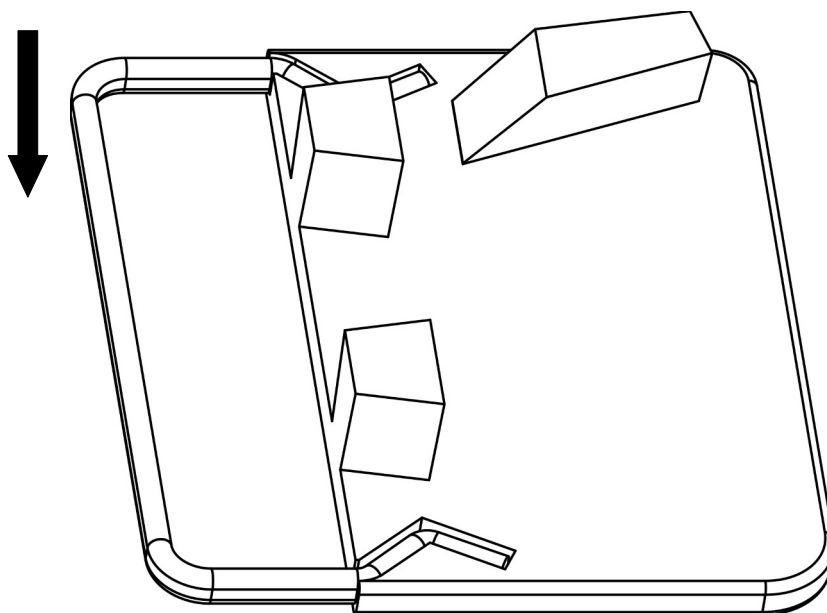


2x

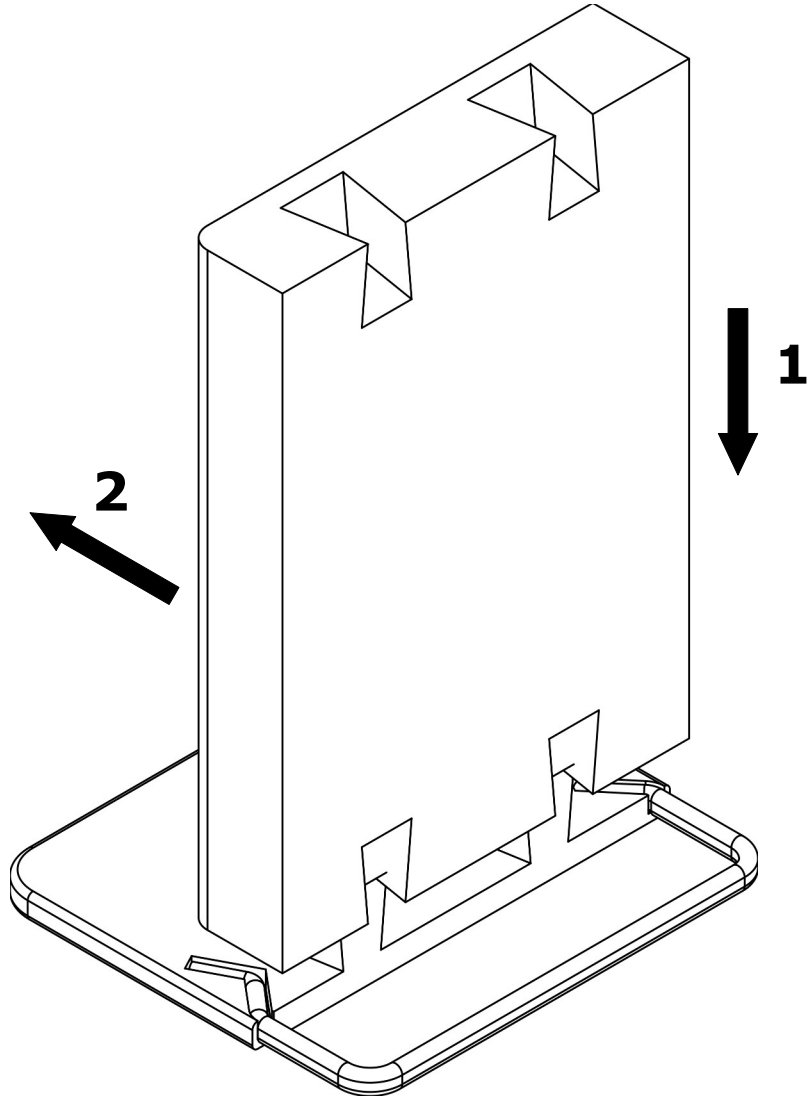
1



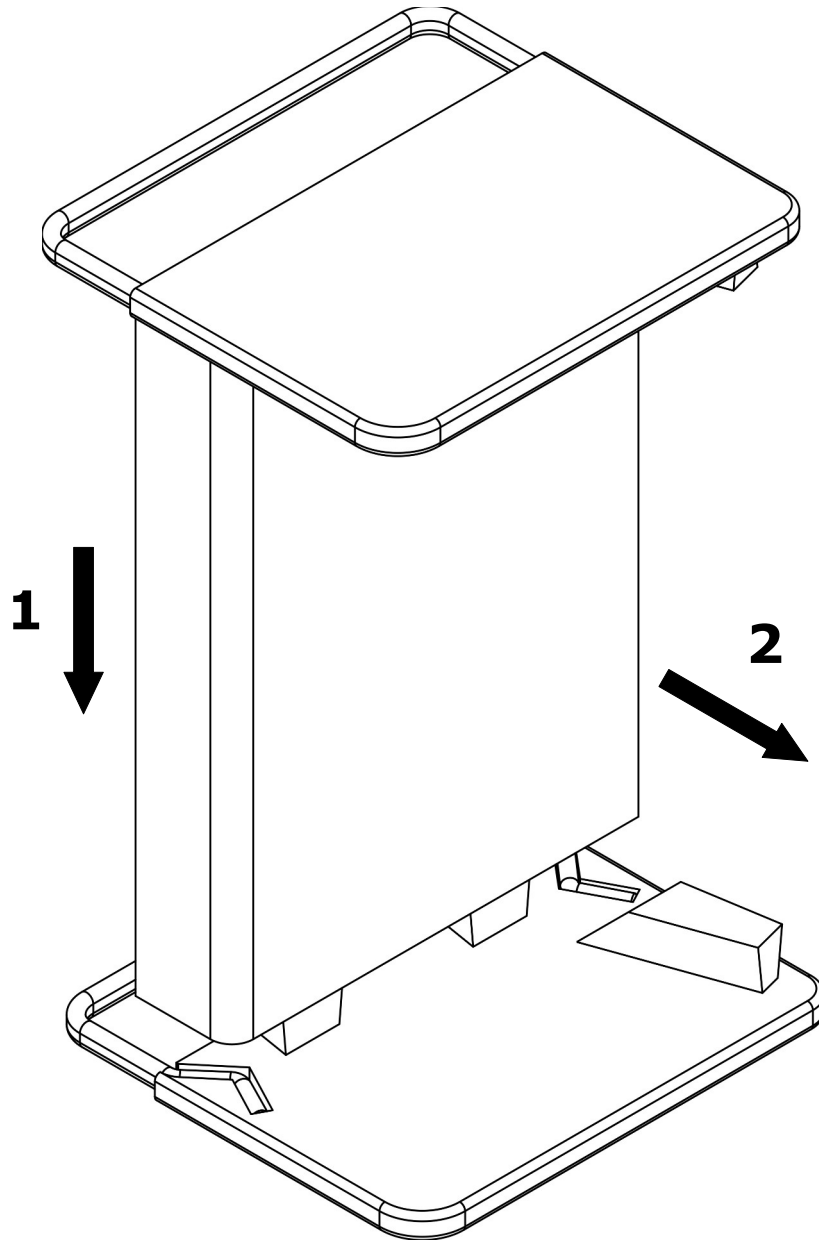
2



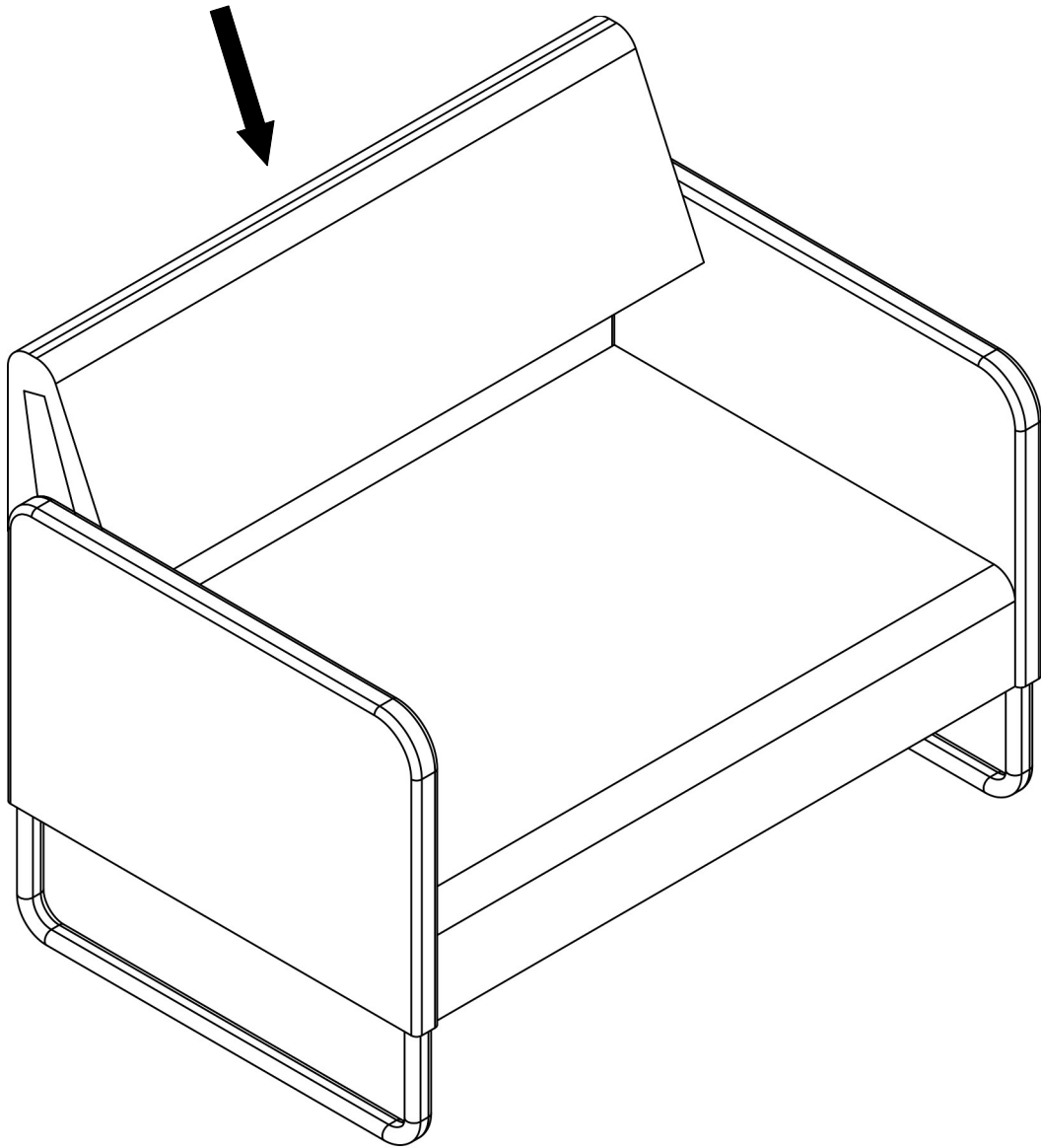
3



4



5



6

